



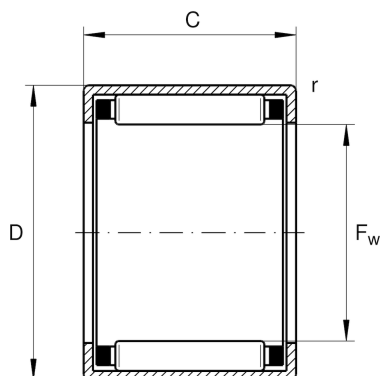
HK1812

Drawn cup needle roller bearing open end

Schaeffler ID:
0000593310000

Drawn cup needle roller bearings with
open ends HK, to DIN 618/ISO 3245

Technical information



Main Dimensions & Performance Data

F_w	18 mm	Under roller diameter
D	24 mm	Outside diameter
C	12 mm	Width
C_r	8,100 N	Basic dynamic load rating, radial
C_{0r}	10,900 N	Basic static load rating, radial
C_{ur}	1,330 N	Fatigue load limit, radial
n_G	14,000 1/min	Limiting speed
$n_{G \text{ Grease}}$	8,400 1/min	Limiting speed for grease lubrication
n_{gr}	10,700 1/min	Reference speed
	12.44 g	Weight

Dimensions

	SD18X24X3	Sealing ring
C_1	12 mm	Width, outer ring
r_{min}	0.8 mm	Minimum chamfer dimension
	G18X24X3	Sealing ring 2
	LR15X18X12,5	Suitable inner rings LR

Temperature range

T_{min}	-30 °C	Operating temperature min.
T_{max}	140 °C	Operating temperature max.